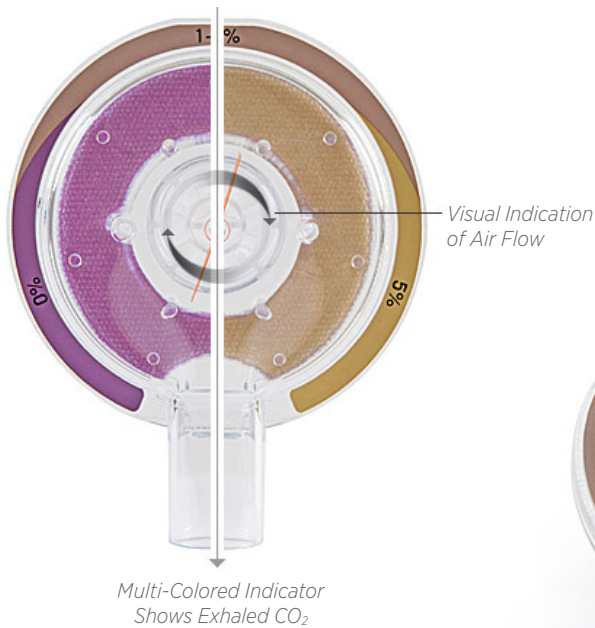


# FLOCAP<sup>®</sup> Flow Indicator

*“The FLOCAP is a single-use  
CO<sub>2</sub> & flow indication device”*

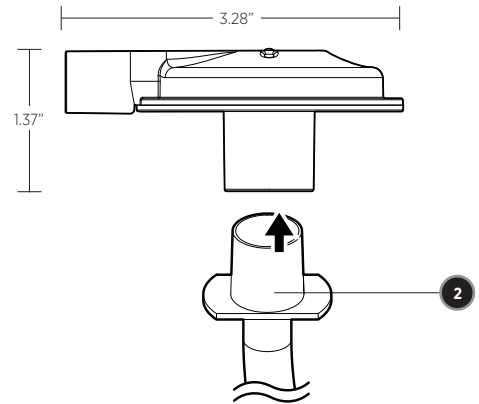
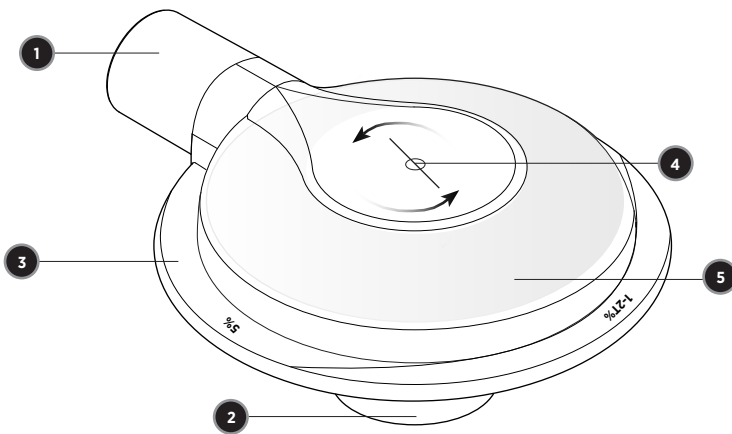


## ► FLOCAP Flow Indicator

***The FLOCAP is a single-use CO<sub>2</sub> & flow indication device designed for visualization of a patient's exhaled CO<sub>2</sub> and expiratory flow.*** The CO<sub>2</sub> indication will assist the user in verifying proper ET tube placement. The flow indicator helps the caregiver identify end of exhalation which may help prevent breath stacking and its associated health issues during resuscitation.

## Part Numbers

FLOCAP 24/pk .....R500P21



**1. 15mm Inlet**

*Connects to Resuscitation Bag*

**2. 22mm Outlet**

*Connects to ET Tube/Ventilator*

**3. CO<sub>2</sub> Indication Label**

*Colored by CO<sub>2</sub> range from 0 to 5%*

**4. Flow Indicator**

*Visual Indication of expiratory flow*

**5. Multi-Colored CO<sub>2</sub> Indicator**

*Color ranges based on CO<sub>2</sub> level*

**Specifications**

Flow Sensitivity: .....	.1 LPM
CO <sub>2</sub> Detection: .....	0%, 1-2%, >5%
Use Duration: .....	.24 hours
Storage Temperature: .....	5°C (41°F) to 25°C (75°F)
Use Temperature: .....	10° C (50°F) to 40°C (104°F)
Internal Volume: .....	<25 ml
Leak Rate: .....	0.00 ml/min
Compliance: .....	0.44 ml/kPa
Device Weight: .....	23 grams
Pressure Drop: .....	0.7 cmH <sub>2</sub> O @ 30 LPM, 2.7 cmH <sub>2</sub> O @ 60 LPM, 5.7 cmH <sub>2</sub> O @ 90 LPM
Connector Port (Patient End): .....	15 mm Inner Diameter/22 mm Outer Diameter
Connector Port (Ventilator End): .....	.15 mm Outer Diameter
Patient Size: .....	>15 Kg (33 lbs)

ML#252 Rev.B



6526 South Cottonwood Street  
Salt Lake City, Utah 84107

866.4.Maxtec | [www.maxtec.com](http://www.maxtec.com)